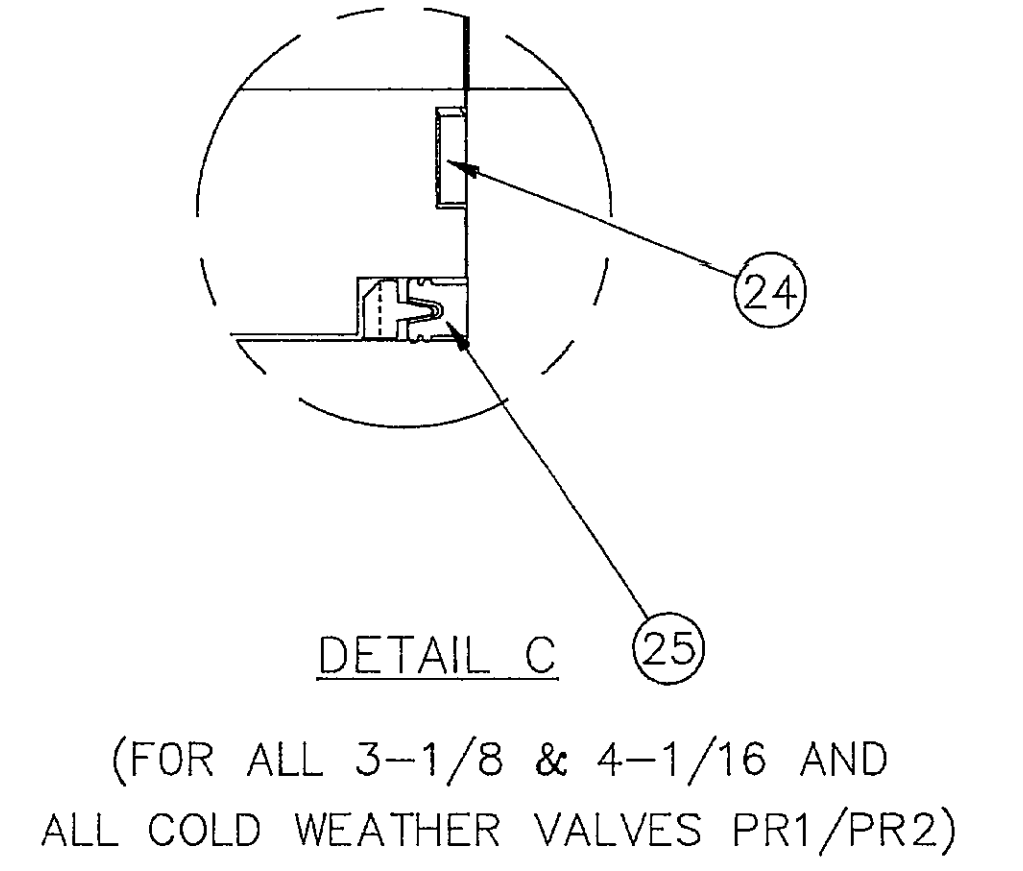
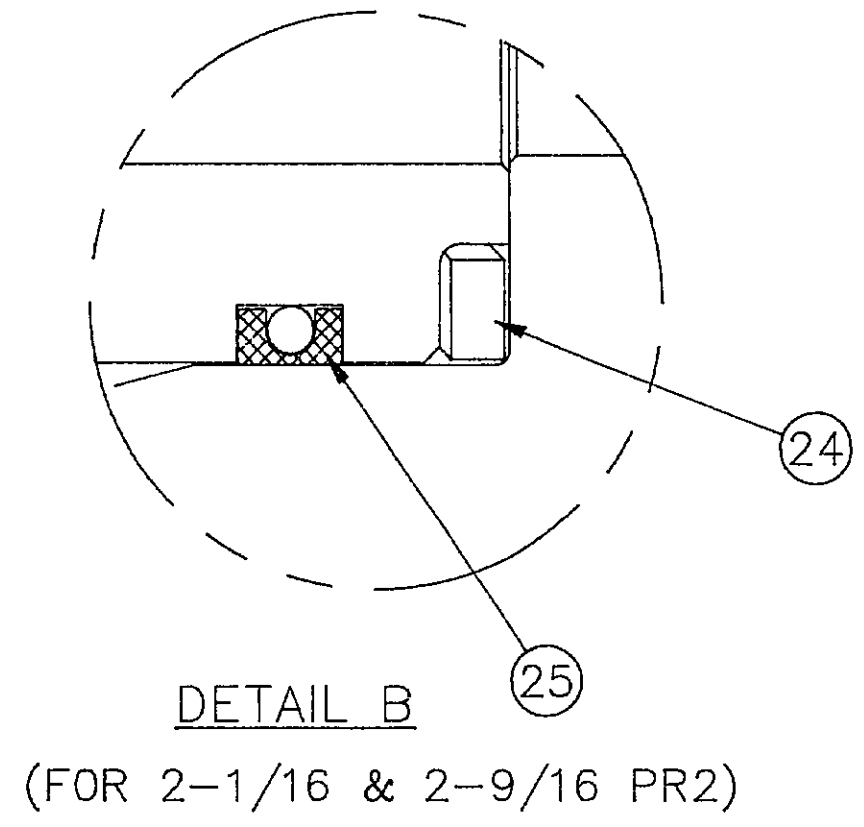
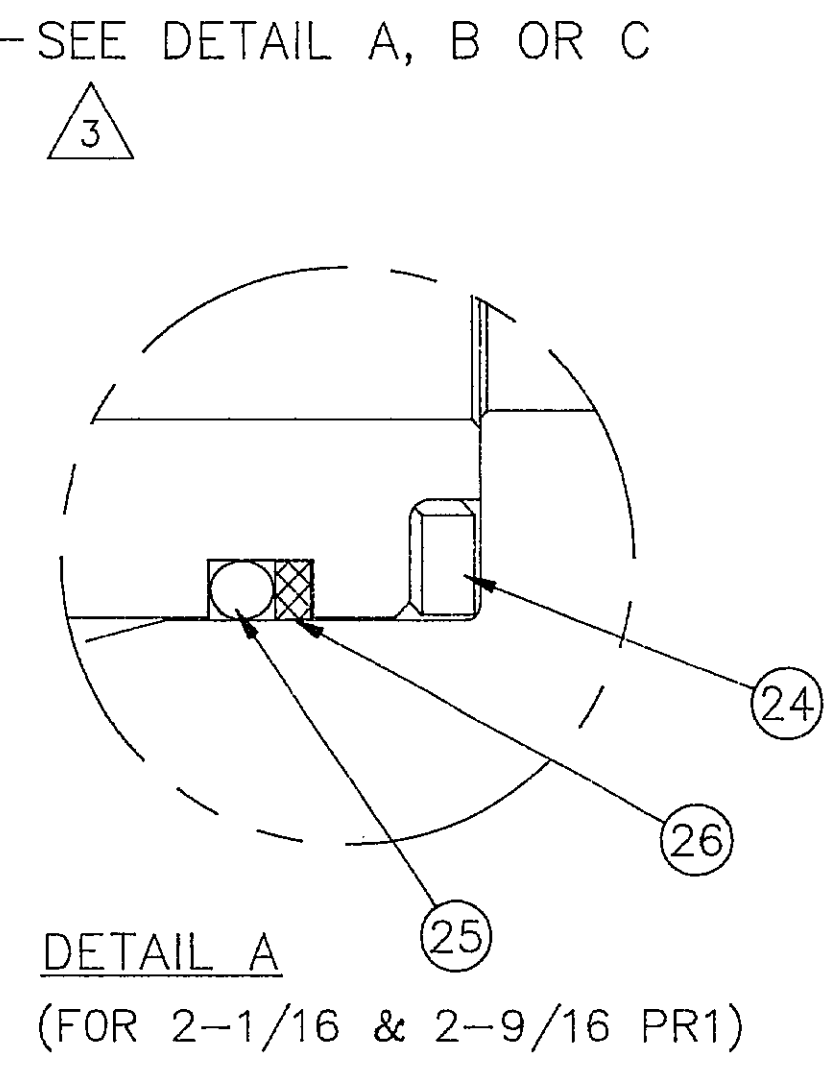
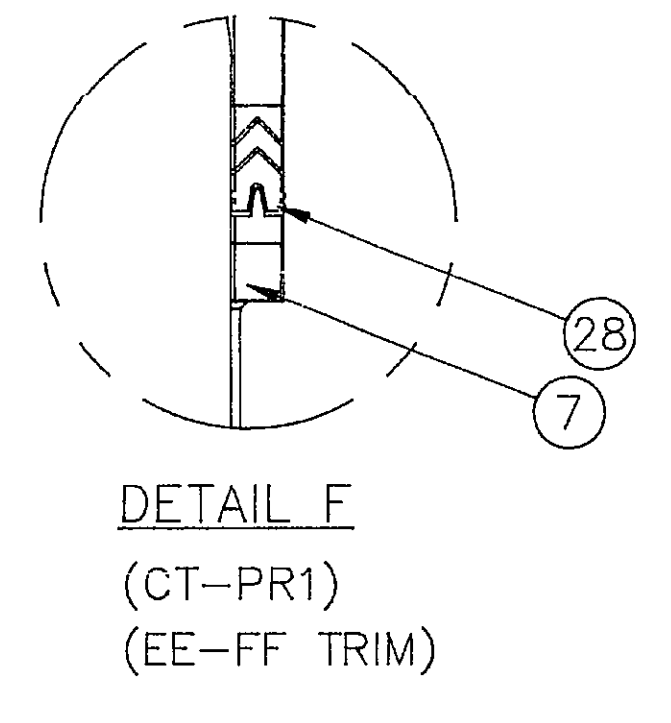
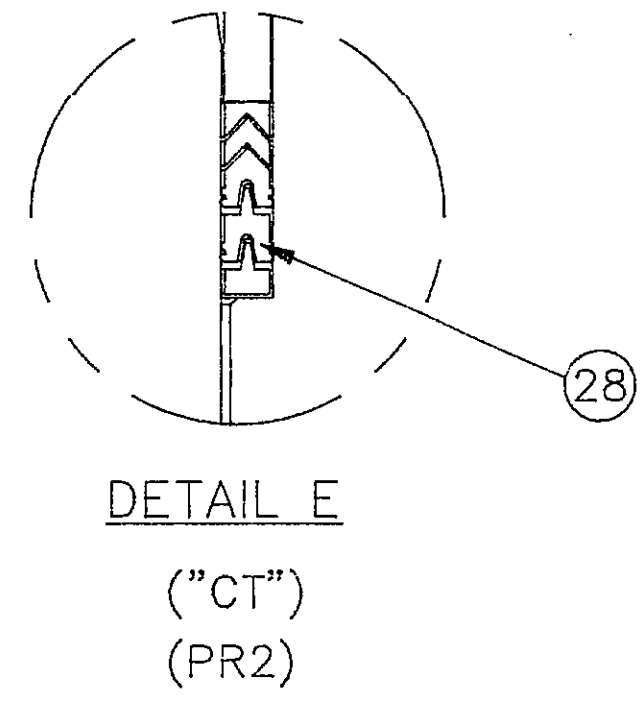
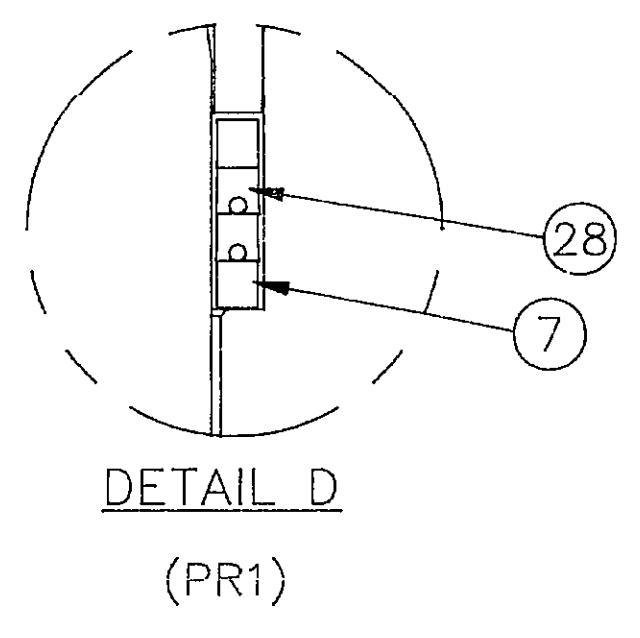
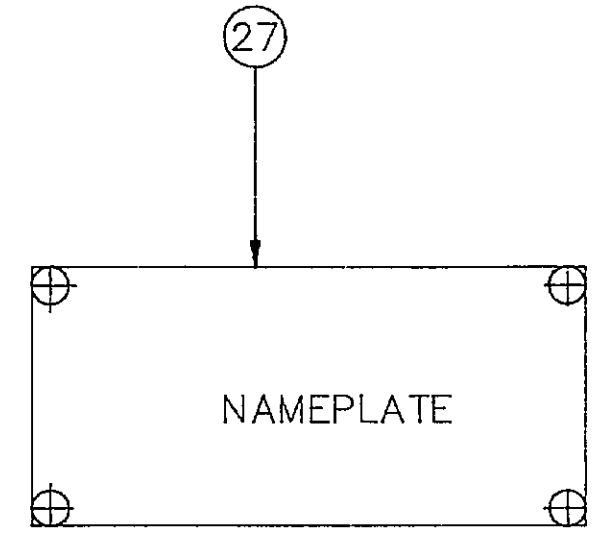
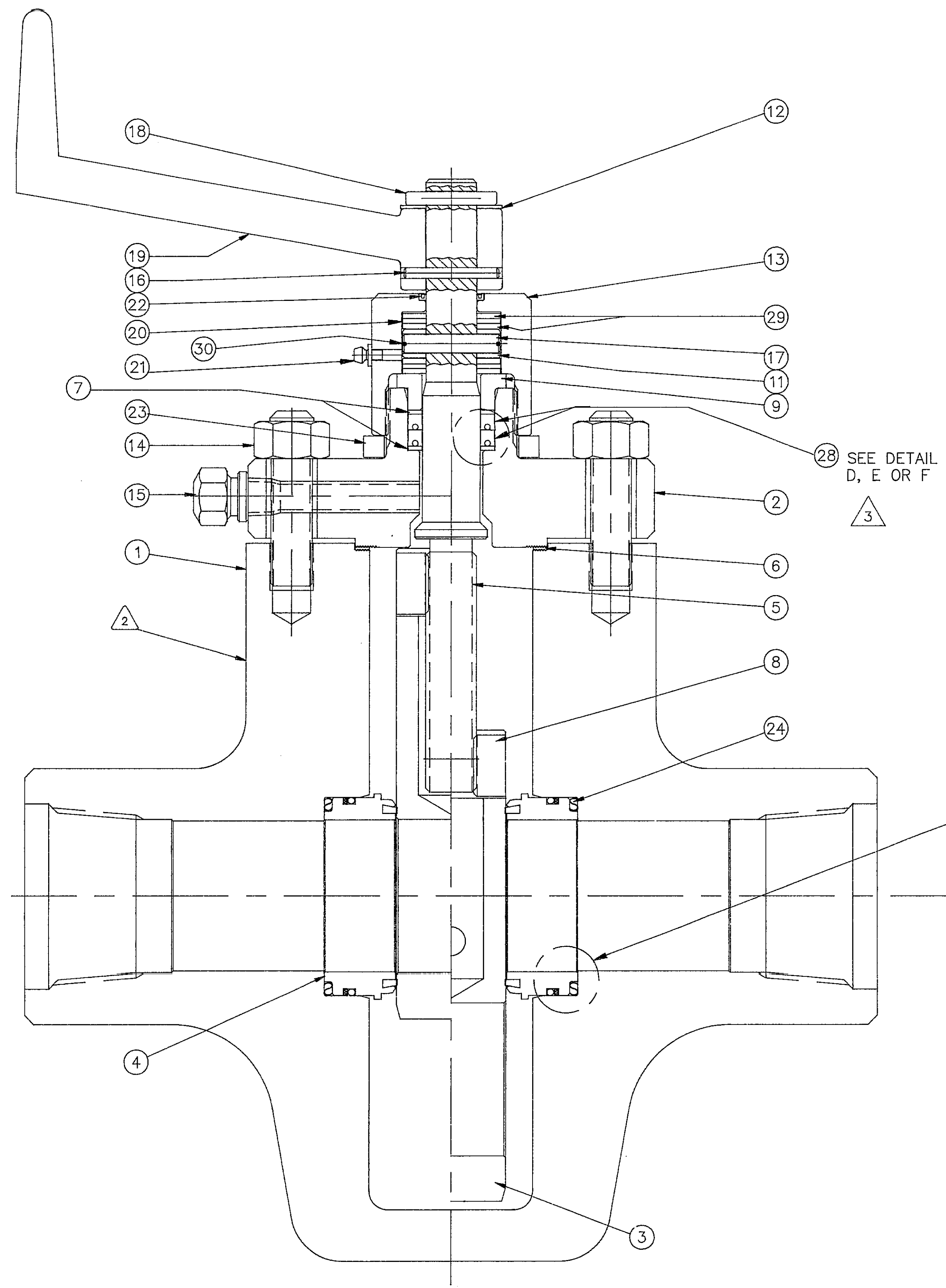


REVISIONS						
REV.	REV. CODE	DESCRIPTION	DWN BY	REV BY	APPD BY	RELEASE DATE
A	NNU111	SEE EC FILE	JP			2/20/04



SEE DETAIL D, E OR F
3

SEE DETAIL A, B OR C
3

3 IF APPLICABLE
2 STAMP PER PARTS LIST.

NOTES:
1. THIS IS A GENERIC DRAWING. REFER TO DASH NUMBERED PARTS LIST FOR ADDITIONAL INFORMATION.

THIRD ANGLE PROJECTION		VETCO GRAY	
REFERENCE:			
DRAWN BY: B. WILLIAMS		ASSEMBLY / FCE	
REVIEWED BY: D. COMEAUX			
APPROVED BY: R. KROLCZYK		VALVE, VG-201/205, API SCREWED ENDS	
RELEASE DATE: 18 OCT 90			
SIZE D	DRAWING NUMBER H133110	SCALE NTS	WEIGHT (LBS.) --
		SHEET 1 OF 1	