



H100S



RAPP BOMEK H100S doors are designed and manufactured to meet the requirement in SOLAS 74 and IMO FTP code.

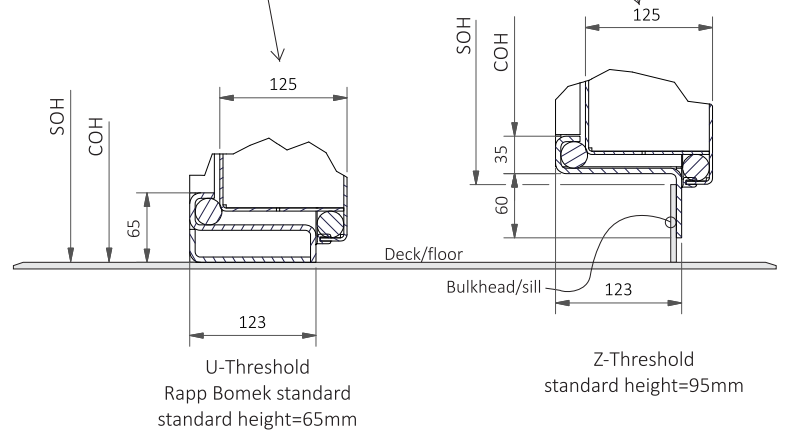
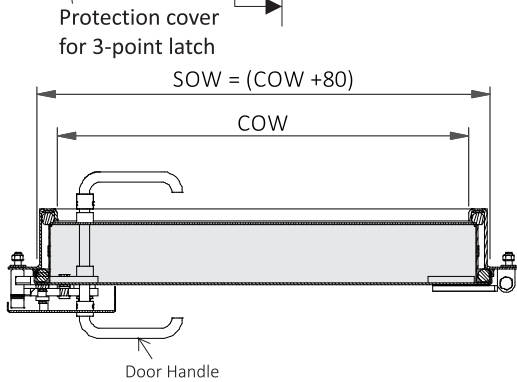
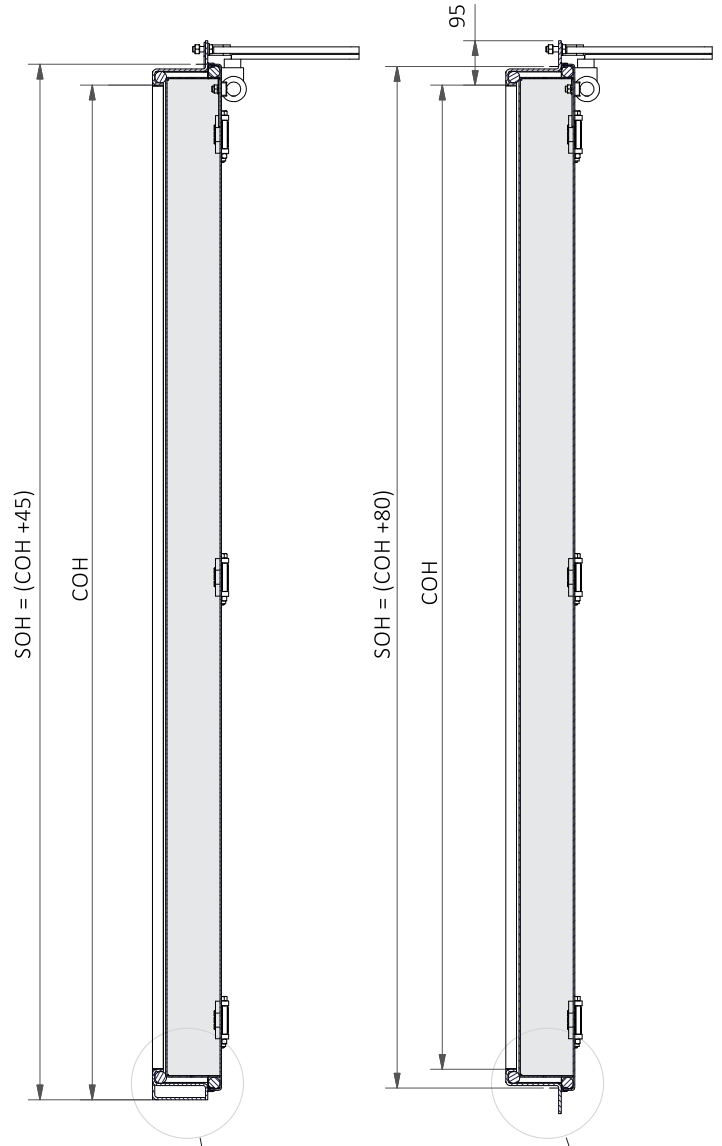
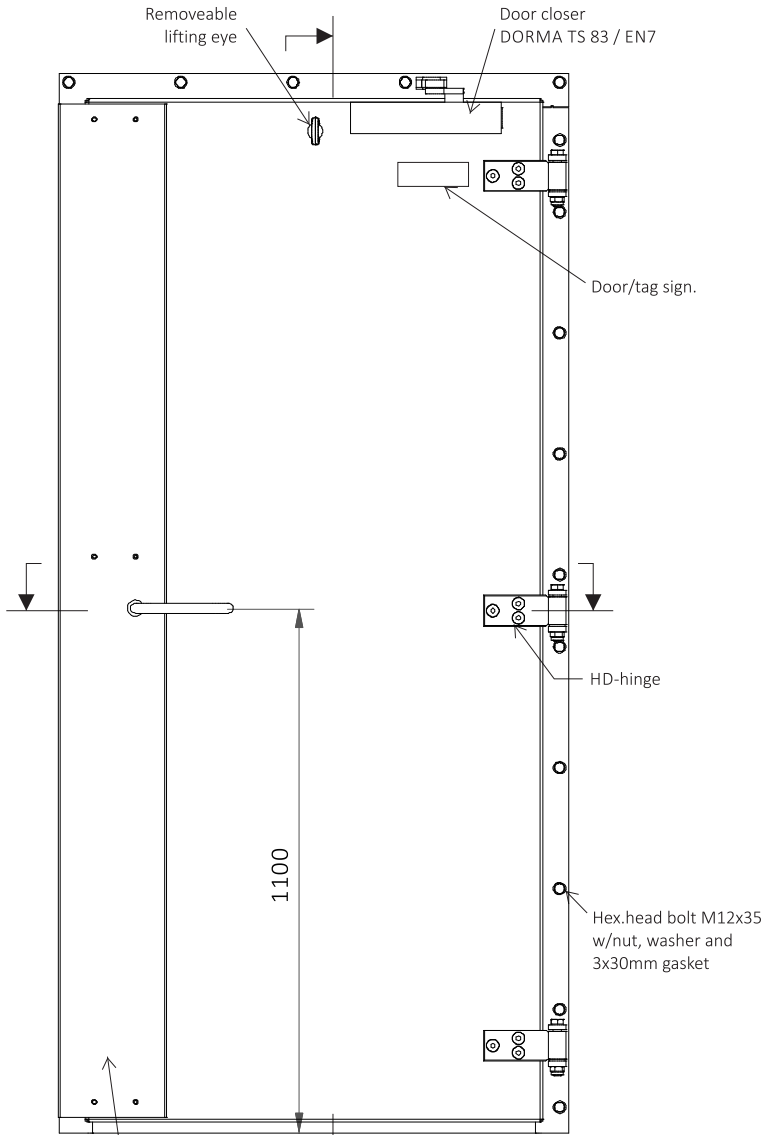
Door type code:	According to NORSOK C-002, H2 and W2.
Certification:	Class societies type approved
Fire rating:	H120
Part no.:	RBFDH100S
Door leaf:	The door leaf is constructed of an outer shell of 3 mm thick steel plate on both sides of an insulating core. The door leaf is internally stiffened using angle profile. The total leaf thickness is 125 mm. Reinforcement plates for Hinges and Door closer are provided to the door leaf plates.
Door frame:	The door frame is made of 5 mm steel plate, Z-shaped according to the drawing.
Material:	The door leaf and frame are made of either mild steel or stainless steel. Mild Steel finished with NORSOK M501 painting system. Stainless Steel brushed finished.
Hinges:	The hinges are special designed and are made of stainless steel AISI 316L. The hinges are welded to the frame and bolted to the door leaf. Each door leaf has 3 hinges with grease nipple.
Handle:	The Handle is of type Rapp Bomek HD-handle stainless steel quality AISI 316L.
Latch:	The Latch is of type Rapp Bomek 3 points and are made of stainless steel AISI 316L, externally fitted to the door leaf with a protection cover.
Door closer:	The door closer is of heavy duty type DORMA TS 83 / EN7, adjustable.
Gasket:	The fire gasket between door leaf and frame is made of silica fibre.
Installation:	Bolted installation. The door frame is pre-drilled for bolted installation. Installation bolts M12x35 with nut, washer, and 3x30mm gasket.
Sound rating:	Rw 43dB.
Weight:	CO=900x2100, estimated to 365 kg
Marking of product:	To comply with NORSOK C-002, edition 3, chapter 7.10 and 7.16 and DNV's requirements for marking of products, the door leaf is provided with a tag/door sign to fulfill these requirements.

Hardware and accessories adapted to the door type, on request.



**RAPP
BOMEK**

**SINGLE HINGED, H100S
H120 FIRE RATED DOOR**



Abbreviations: COW - Clear Opening Width
COH - Clear Opening Height
SOW - Structural Opening Width
SOH - Structural Opening Height