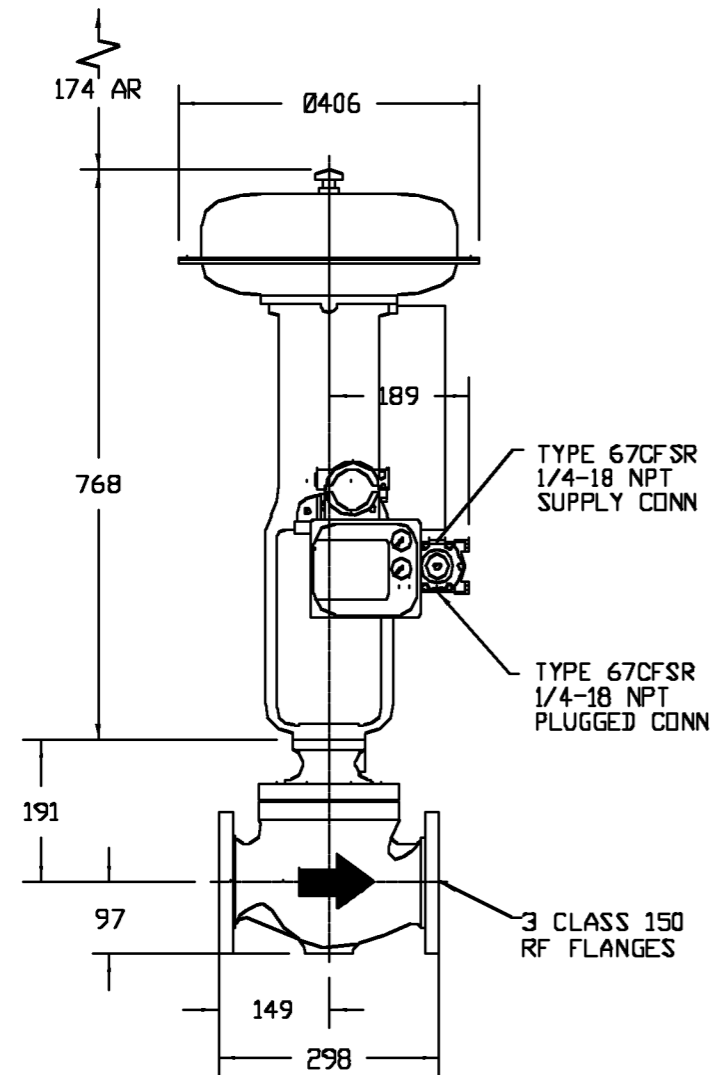
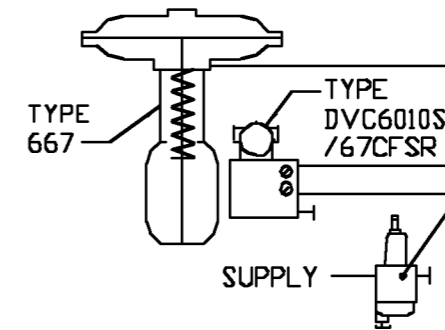
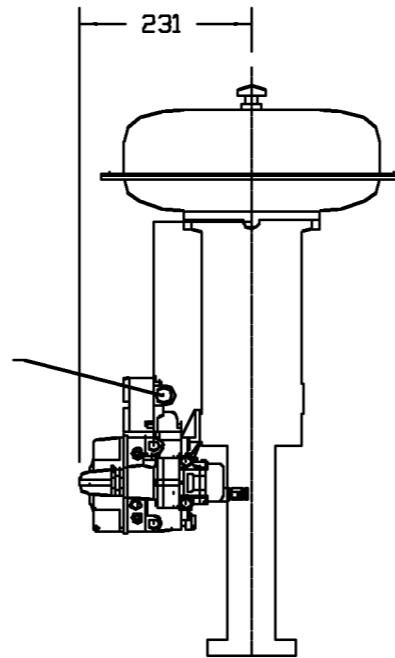


FORMAT OF DRAWING IS FRAME AGREEMENT APPROVED

DWG. NO.
MMM68269



TYPE DVC6010S
ELECTR CONN
M20 X 1,5
TAG: 355-LV-0001



VALVE CLOSES ON AIR FAILURE
INCREASING INSTRUMENT PRESSURE OPENS VALVES



DIMENSIONS CERTIFIED CORRECT BY FISHER CONTROLS DATE 02/28/07

CUST: SOLBERG & ANDERSEN AS
P. O. NO.: 4501226378/HEFO
ORDER NO.: 4300824186
TAG NO.: 355-LV 0001 |
SERIAL NO.: EU03491358
ACTUATOR 667 SIZE 45
VALVE ET SIZE 3 ANSI 150 RF
DIAPHRAGM ACTUATED
CONTROL VALVE
MODEL TYPE:
ET - 667/45 - DVC6010S - 67CFSR

TOTAL CALCULATED ASSEMBLY WEIGHT +/- 10%:
102 kg
AR = ACTUATOR REMOVAL CLEARANCE

UNLESS OTHERWISE SPECIFIED:
UNIT OF MEASURE: MILLIMETER
DIMENSIONS ARE +/- EXCEPT
FACE TO FACE TOLERANCE PER ISA (EN 558)

HP CAD

© Fisher Controls 2007



DWN.	ADS	02/28/07	ITEM	3491358	6
CHKD.	SPA	02/28/07	DWG. NO.	MMM68269	REV.
APVD.	JLJ	02/28/07			A
ME10			SCALE: NONE		

Rev.	Date	DESCRIPTION	Drawn by	Checked by	Appr. by	Project appr.	Client appr.
C	17.09.07	As-Built	BEØ	KDV	FSK		
B	22.03.07	Issued For Project Acceptance	BEØ	KDV	BJL		
A	07.03.07	Issued For Project Acceptance	BEØ	KDV	BJL		

Contractor
SAAS
STATOIL

TITLE
GA Drawing
Control Valve
355-LV-0001

PO no	4501226378	Tag no	355-LV-0001
Vendor drawing no.	11061560-008	Area	K-Lab
		Format	A3
		Scale	N/A
E018-XX-313-JA-013-001		c	
Project	Orig	Sys	Disc
Seq. no.	Sheet no.	Rev.	

Filename: E018-XX-313-JA-013-001