



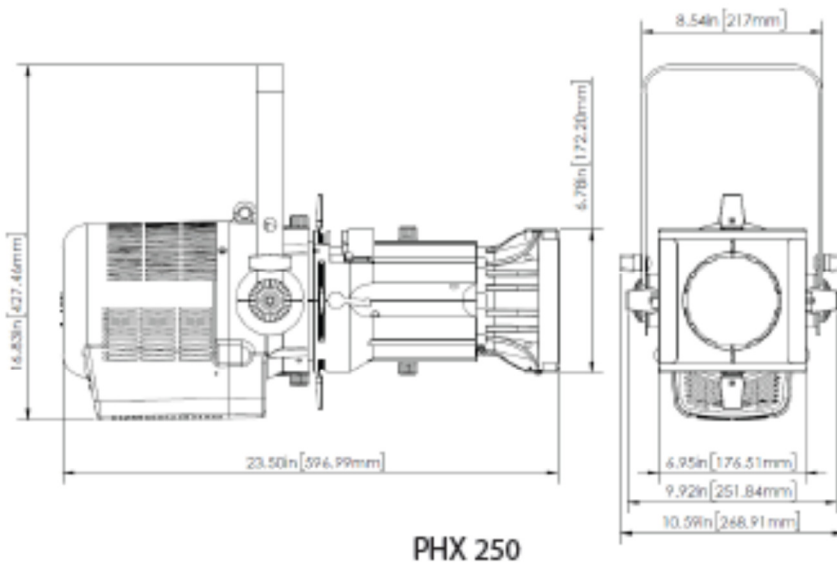
PHX2-3K-10-B -Altman Phoenix LED Profil 250W- 10°,3000K



TEKNSIKE DATA

Spenning	: inn 100-240VAC 50/60Hz (Selv)
LED (Integrert):	250W
Fargetemperatur:	3000K
Ra indeks	: 92
Lysspredning	: 10 grader linse
Mac Adam	: 2 SDCM
Levetid	: 50 000 timer - L70
IP Grad	: IP20
VEKT	: 12 kg

ILLUSTRASJONER:



LYS MÅLINGSVÆRDIER-3000K

10 Degree

Throw Distance (d)	20'	30'	40'	50'	60'	70'	80'	90'	100'	110'
	6m	9m	12.2m	15.2m	18.28m	21.33m	24.38m	27.43m	30.48m	33.52m
Beam Size Diameter	3.00' 0.91m	4.50' 1.37m	6.00' 1.82m	7.50' 2.286m	9.00' 2.74m	10.50' 3.20m	12.00' 3.65m	13.50' 4.11m	15.00' 4.57m	16.50' 5.02m
Illuminance = fc (Illuminance = lux)	826.75 (8899.05)	367.44 (3955.13)	206.69 (2224.76)	132.28 (1423.84)	91.86 (988.78)	67.49 (726.45)	51.67 (556.19)	40.83 (439.45)	33.07 (355.96)	27.33 (294.18)

CP – Norway as
Org nr. 966674970
Tel +47 55 20 97 00
Fax +47 55 20 97 01

Bergen
Fabrikkgaten 3
5059 Bergen
mail: salg@cp-norway.no

Oslo –Prosjektkontor-Showrom
Hovfaret 4b
0275 Oslo
www.cp-norway.no