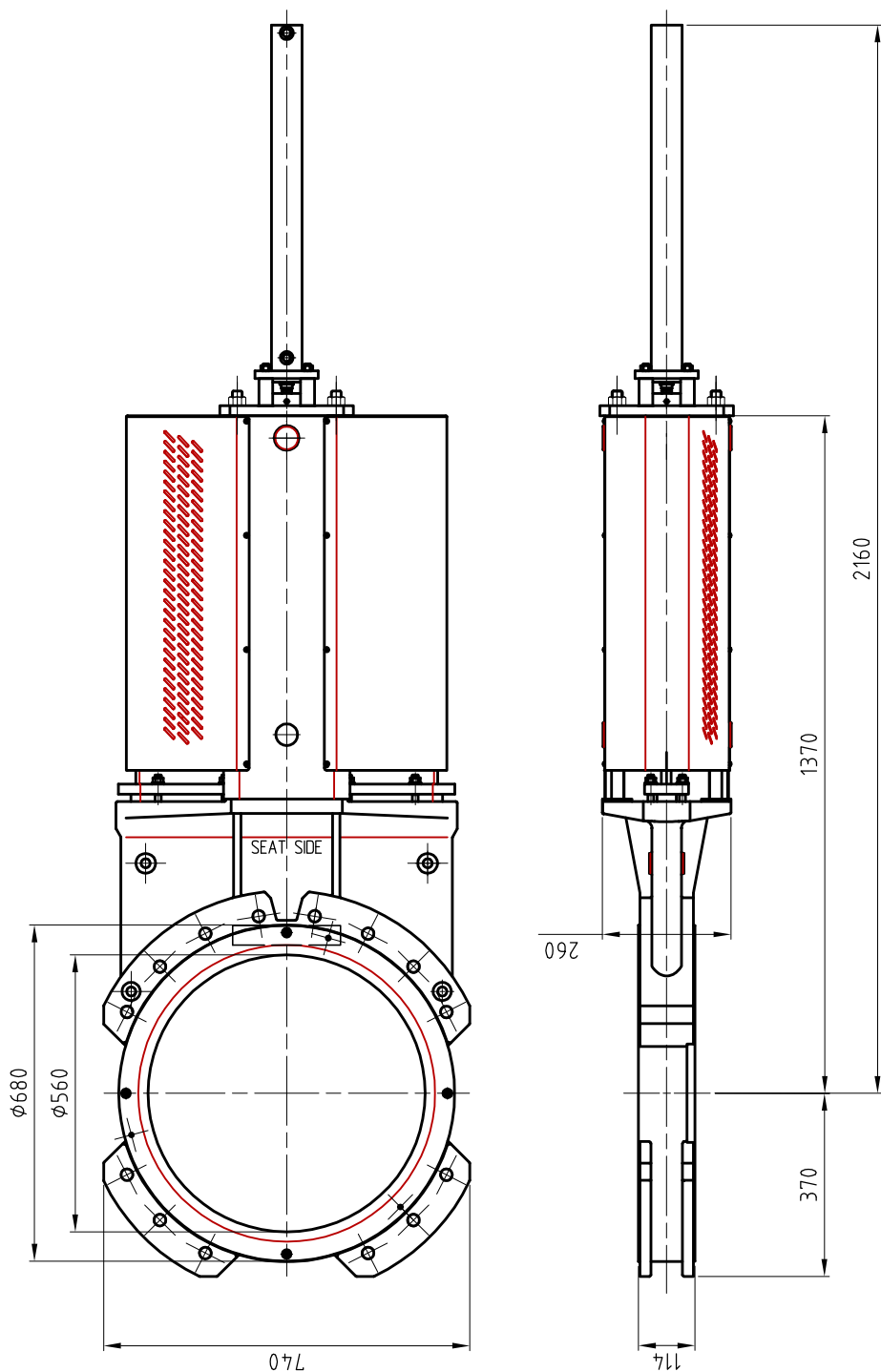


24" 150# KNIFE GATE VALVE

Stafsjø knife gate valve type MV, ANSI 150lbs
Mounted with hydraulic double acting actuator
type Bosh-Rexroth MH-50
Oil supply pressure 200bar

Limit switches- ATEX Inductive sensor type
IGS20A-M00765-12, 10-36 V DC

Parts	Material
Connection	Wafer for ANSI B16.5 Class 150lbs flanges
Valve body material	254 SMO (6MO)
Gate	254 SMO (6MO)
Gland, seat ring	254 SMO (6MO)
Seat	PTFE
Gland box packing	Twin pack
Tie rods	Stainless steel AISI 316 (1.4401)
Screws	Stainless steel A4



This document is property of STAFSJÖ VALVES AB and shall not without written permission be copied, imprinted or used for any other unauthorized purpose.
 Kopier, dröck, tryck eller användas för annat obehörigt ändmål.
 Detta handling är STAFSJÖ VALVES AB:s egendom och får inte skriftligt medgivande STAFSJÖ VALVES AB

All specifications subject to change without notice.

Item / Qty / Part / Antal	Description / Benämning	Checked by / Gransad av MBV	Approved by - Date / Godkänt av - Datum	Dimension General tolerance / ISO 2768-1 m	Material General tolerance / ISO 2768-2 K	Article number / Ref. Article number / Projektionsnummer / Våpelsnummer 1:10
OR 10-03-18		Title / Titel		Dimensional drawing MV DN600 CDL1 MH50		
STAFSJÖ VALVES AB		File name / Filnamn DD-0802_600HC50		Drawing number / Ritningsnummer DD-0802		
STAFSJÖ VALVES AB		Sheet / Ark		Sheet / Ark 1/1		

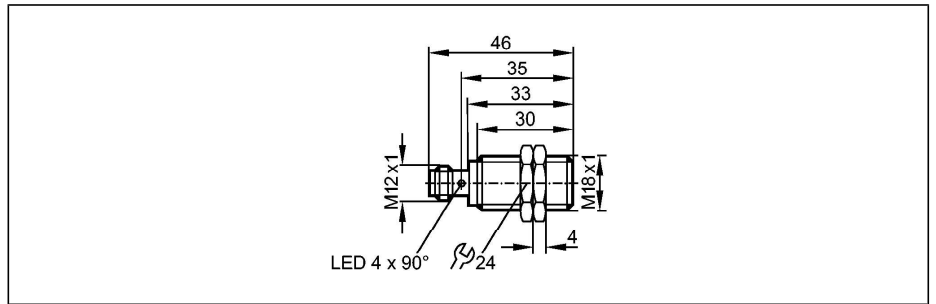
Inductive sensors

IGS20A

IGB3008BBPKG/M/US/3D
 Inductive sensor
 Metal thread M18 x 1
 Plug and socket

Increased sensing range
 gold-plated contacts
 ATEX approval
 Group II, category 3D

Sensing range 8 mm [f]
 flush mountable



Electrical design	
Output	
Operating voltage	[V]
Current rating	[mA]
Short-circuit protection	
Reverse polarity protection	
Overload protection	
Voltage drop	[V]
Current consumption	[mA]
Real sensing range	[mm]
Operating distance	[mm]
Switch-point drift	[% of Sr]
Hysteresis	[% of Sr]
Switching frequency	[Hz]
Correction factors	
Ambient temperature	[°C]
Protection	
EMC	
Marking of the unit	
Housing materials	
Function display	
Switching status	LED
Connection	
Accessories (included)	

DC PNP	
normally open	
Operating voltage	10...36 DC
Current rating	100
Short-circuit protection	pulsed
Reverse polarity protection	yes
Overload protection	yes
Voltage drop	< 2.5
Current consumption	< 10
Real sensing range	8 ± 10 %
Operating distance	0...6.5
Switch-point drift	-10...10
Hysteresis	3...15
Switching frequency	400
Correction factors	mild steel = 1 / stainless steel approx. 0.7 / brass approx. 0.5 / Al approx. 0.4 / Cu approx. 0.3
Ambient temperature	-20...60
Protection	IP 67, II
EMC	EN 60947-5-2
Marking of the unit	Ⓔ II 3D Ex tD A22 IP67 T80°C X
Housing materials	brass white bronze coated; active face: LCP; connector: PEI
Function display	
Switching status	yellow (4 x 90°)
Connection	M12 connector; gold-plated contacts
Accessories (included)	2 lock nuts

Wiring

