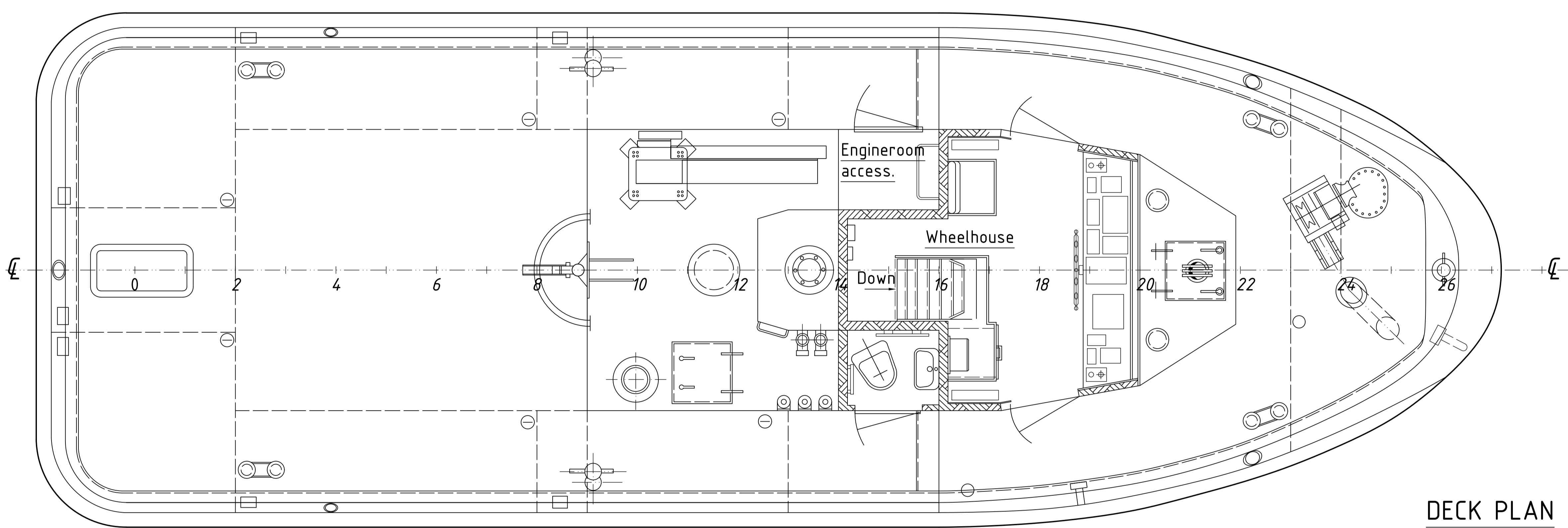
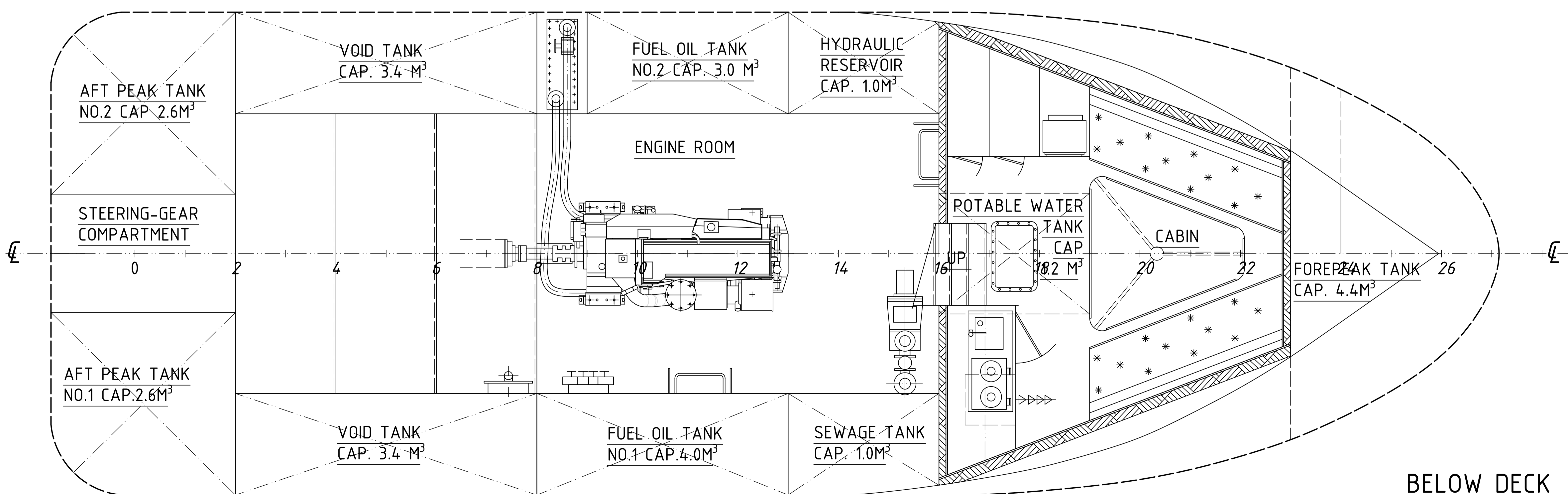


WHEEL HOUSE TOP

PROFILE



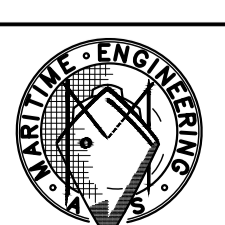
DECK PLAN



BELOW DECK

Main Dimensions:

Length o.a.	14,5M
Breadth mid.	4,80M
Depth mid. at frame #12	2,85M
Draft aft. abt.	2,50M
Fuel oil capacity max	7000l
Bollard pull max	7tons
Free running speed abt.	9n.M
Fire pump capacity	3200l/min@9bar
Bilge pump capacity	290l/min@9m.w.c.
Fuel oil transere capacity pump	130l/min@7m.w.c.

General arrangement	1:25	Konstr. OTE	Date 03.10.2016
Motorbytte		Kontr.	Date
Augustus		Byggeskild	Erstatning av
Augustus		Tegninger	Byggeskild
 Maritime Engineering AS	16097-101	Rev. A	
Postboks 20, 5902 ISDALSTØ Tlf: 99 35 85 14, Fax: 99 35 85 11 E-post: post@meng.no			