

### List of Types / Overview of Performance

No flame or explosion protection

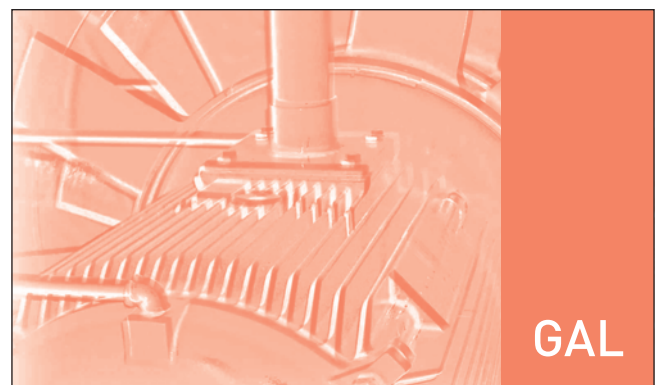
Fan Type	Volumetric Flow [m³/s]	Total Pressure [Pa]
GAL 3 – 15/15	1.0 – 1.4	1150 – 250
GAL 4 – 30/30	1.6 – 2.7	2250 – 300
GAL 5 – 55/55	2.0 – 3.1	3200 – 150
GAL 5 – 75/75	2.7 – 4.5	4200 – 350
GAL 6 – 110/110	3.5 – 5.5	4300 – 200
GAL 6 – 150/150	4.3 – 6.8	5000 – 400
GAL 7 – 220/220	5.5 – 9.0	5400 – 350
GAL 7 – 300/300	6.3 – 11.0	5800 – 500
GAL 9 – 550/550	11.0 – 21.0	6600 – 700
GAL 12 – 450/450	18.0 – 31.0	3850 – 500
GAL 12 – 550/550	22.0 – 37.0	4150 – 650
GAL 14 – 900/900	27.0 – 47.0	5050 – 600
★ GAL 14 – 1100/1100	30.0 – 50.0	5500 – 700

More precise power ranges in the characteristic curves.  
 Insulated bearings for frequency drive operation > 90 kW.

Contra-rotating high-pressure fans provide very high pressure gradients at efficiency rates of up to more than 90% in both gratings through complex flow processes. Simple construction without guide vane with two drive motors

**Drive:**

Low-voltage grey cast iron motors IP 55. Motors conform to efficiency class IE 1, IE 2 or IE 3 with regard to guideline IEC 60034-30 and ErP



Fan Type GAL



**GAL 3 – 15/15 to GAL 14 – 1100/1100**

**Type:**

GAL 3 – 15/15 to GAL 14 – 1100/1100;  
 Contra rotating axial flow fan, *not* flame-proof  
 or explosion-proof

**Drive:**

Three-phase squirrel-cage motors, special  
 design, protection class IP 55, insulation  
 class F, tropic-proof, internal or external  
 terminal box

**Type of Construction:**

Two contra-rotating axial impellers, profiled  
 rotating blades, steel housing, mounting claws.  
 Impeller of Silumin

Conforms to efficiency class IE 1, IE 2, IE 3

**Colour:**

Pure white (RAL 9010)\*\*

**Application:**

Industrial, tunnel and gallery ventilation,  
 mining, without flame-proof or explosion-proof  
 requirements, high pressure requirement

**Scope of Supply:**

Fan, operating manual

**Power:**

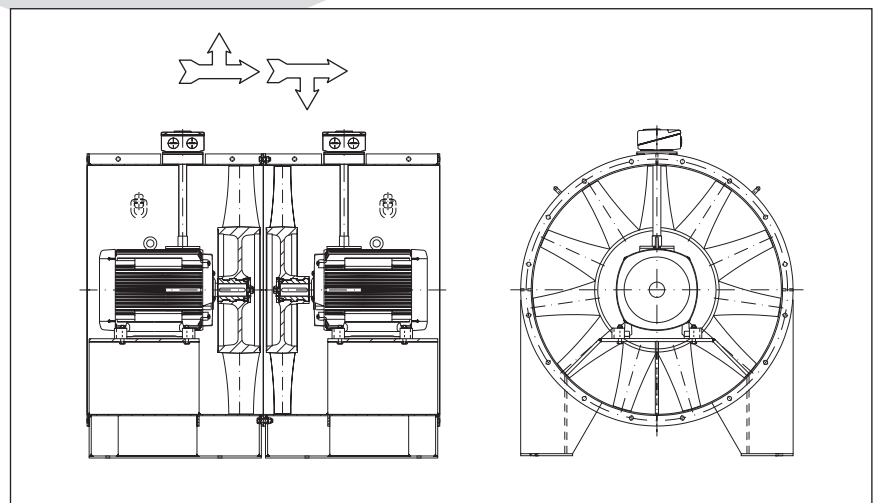
Volumetric flow up to 45 m<sup>3</sup>/s,  
 total pressure up to 6000 Pa

\* Depending on the design, single-stage,  
 pole-changing or by frequency drive

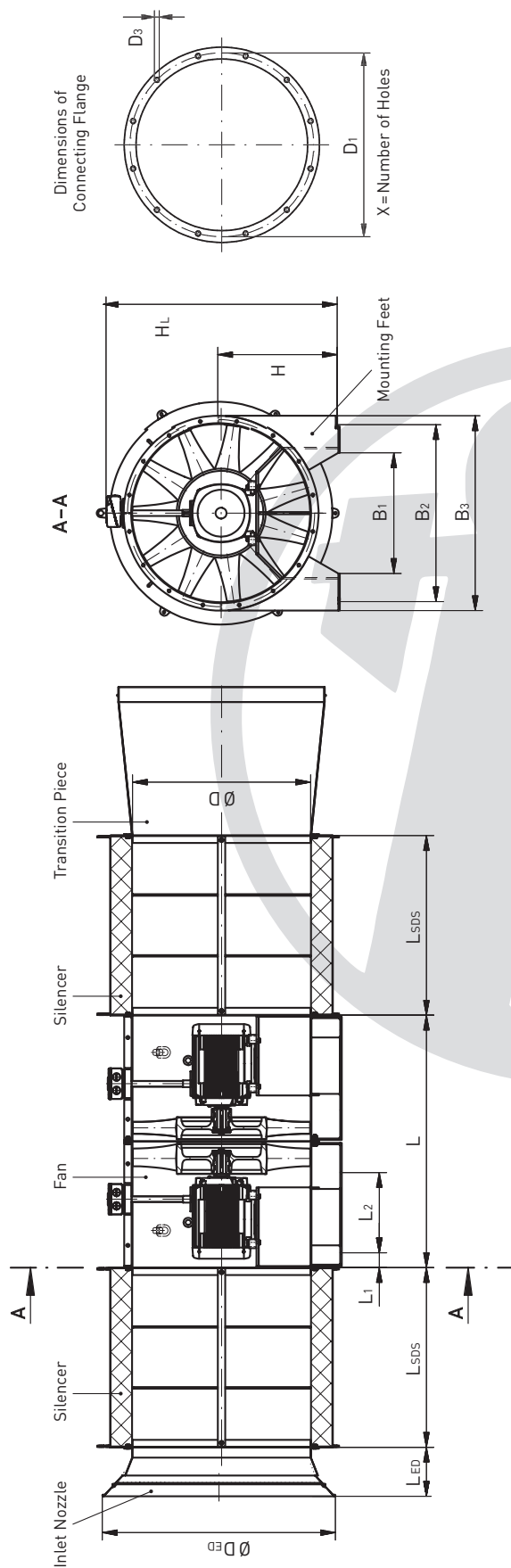
\*\* Standard colour – other colours on inquiry

**Control:**

Pole-changing motors\*, infinitely variable  
 speed regulation\*, individually adjustable  
 impeller (as required)



Technical representation of a GAL 12 with mounting feet

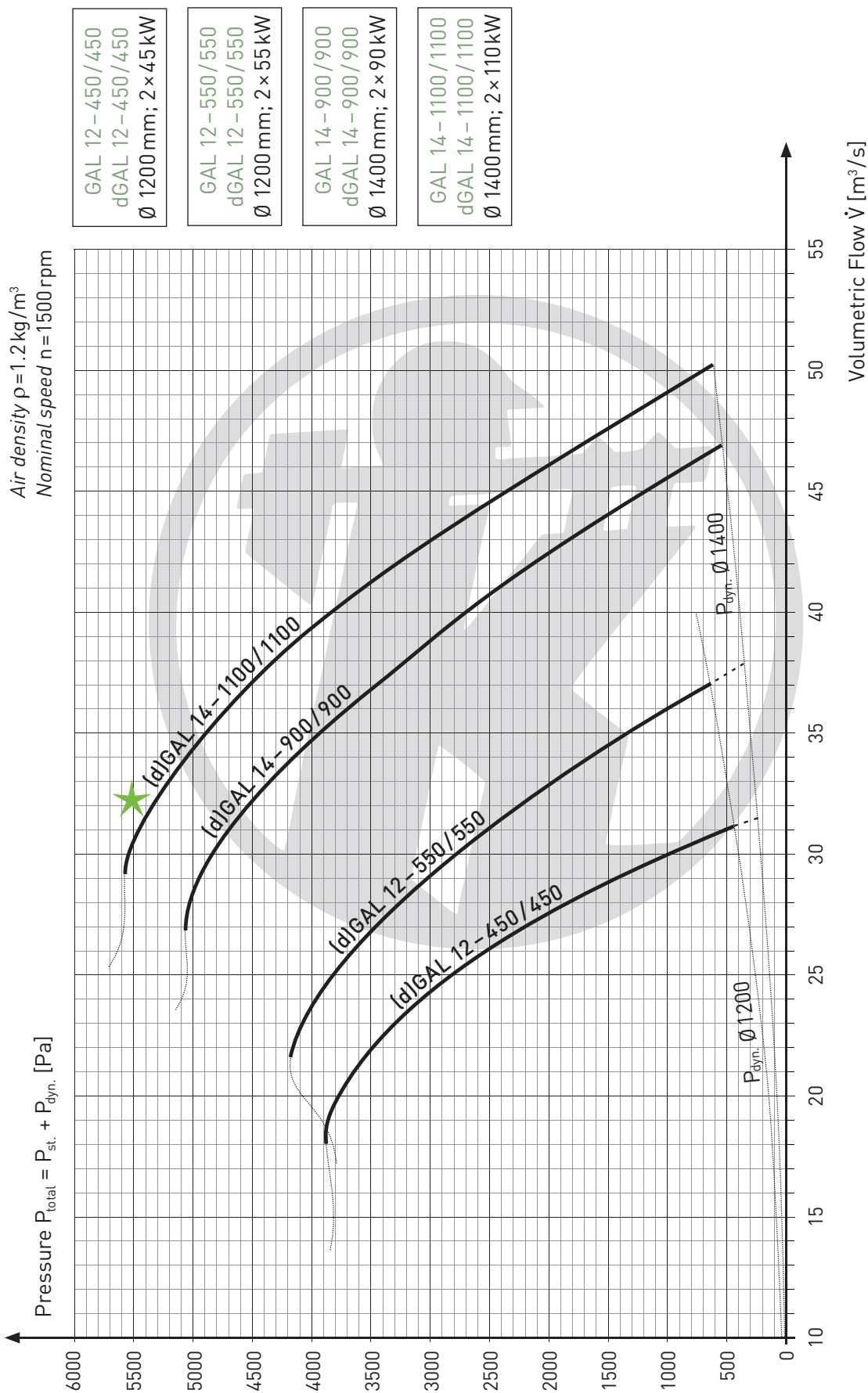


Type	ID No.	Ø D mm	Length L mm	Height HL mm	Height HL mm	Power kW	Weight kg	Connecting Flange			Dimensions of Mounting Feet				
								Ø D1 mm	X pcs	Ø D3 mm	L1 mm	L2 mm	B1 mm	B2 mm	B3 mm
GAL 3-15/15	05300977	300	800	515	275	2 x 1.5	150	355	4	14	75	250	200	350	400
GAL 4-30/30	05409054	400	1000	645	350	2 x 3.0	240	455	4	14	75	350	300	400	500
GAL 5-55/55	05509140	500	1100	765	400	2 x 5.5	330	560	8	20	100	350	300	500	600
GAL 5-75/75	05509129	500	1100	770	400	2 x 7.5	350	560	8	20	100	350	300	500	600
GAL 6-110/110	05619167	600	1240	880	450	2 x 11.0	450	660	12	20	105	410	400	600	700
GAL 6-150/150	05619191	600	1240	885	450	2 x 15.0	520	660	12	20	110	400	400	600	700
GAL 7-220/220	05729102	700	1550	1060	550	2 x 22.0	780	760	12	20	100	575	500	700	800
GAL 7-300/300	05729120	700	1550	1060	550	2 x 30.0	820	760	12	20	100	575	500	700	800
GAL 9-550/550	05099257	900	1700	1275	650	2 x 55.0	1490	960	16	20	100	650	600	900	1000
GAL 12-450/450	05129226	1200	1700	1575	800	2 x 45.0	1650	1260	16	20	100	540	813	1193	1313
GAL 12-550/550	05129201	1200	1700	1570	800	2 x 55.0	1850	1260	16	20	150	550	813	1193	1313
GAL 14-900/900	05149135	1400	2200	1860	950	2 x 90.0	2930	1480	24	20	125	850	926	1300	1526
GAL 14-1100/1100	05149134	1400	2300	1860	950	2 x 110.0	3250	1480	24	20	125	900	926	1300	1526

Data refers to KORFMANN standard series (nonbinding)

Pole-changing motors or individually adjustable impellers on inquiry





Characteristic curves also valid for versions Ex d(e) | M2 c and Ex de II 2 GD

