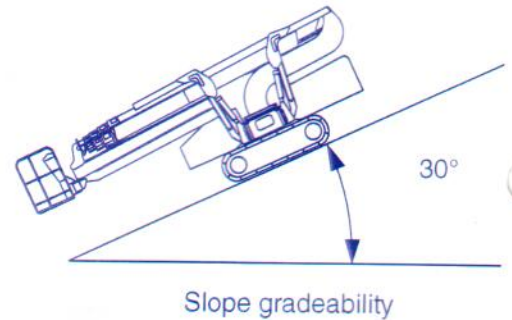
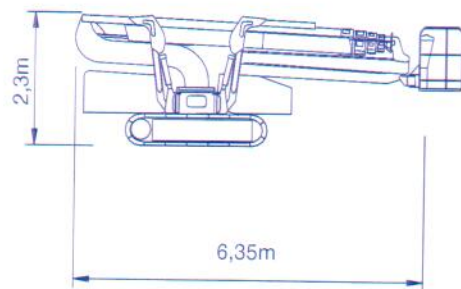
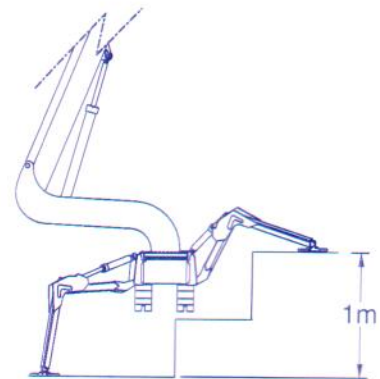
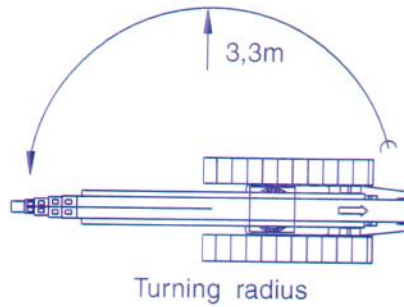
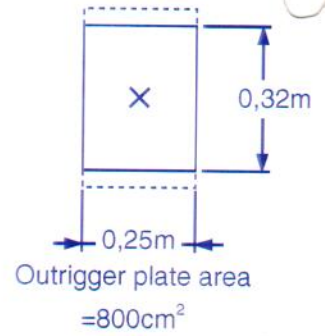
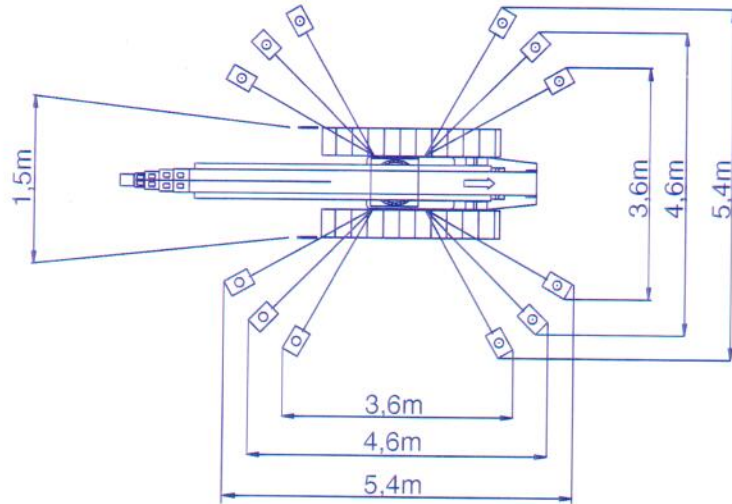
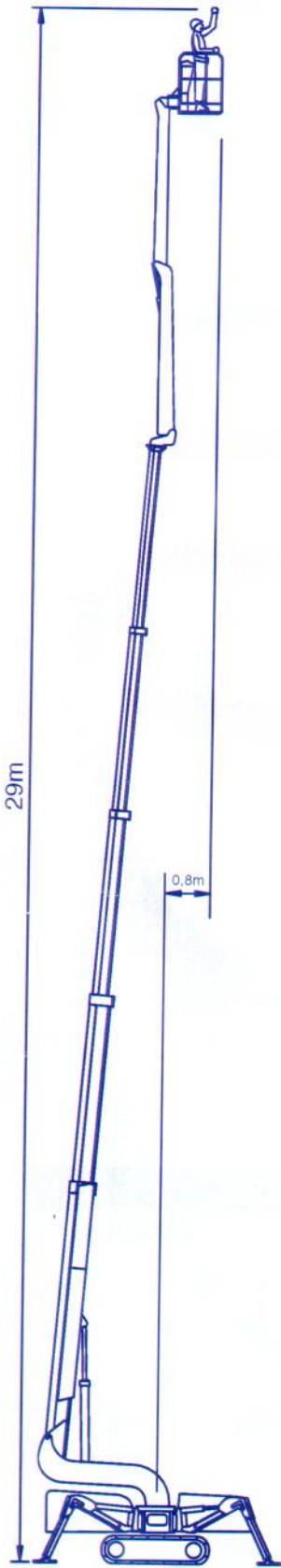




## Outer measurements



## Additional info:

### Weight and ground pressure:

Weight with standard equipment  
 Surface pressure under crawlers (soft surface)  
 Surface pressure under crawlers (hard surface)  
 Max. ground pressure under 1 outrigger plate

4950 kg  
 0,53 kg/cm<sup>2</sup>  
 1,70 kg/cm<sup>2</sup>  
 2,75 kg/cm<sup>2</sup>



*As all our products are in a constant process of development we reserve the right to alterations*



E. FALCK SCHMIDT A/S

E. Falck Schmidt A/S • Tolderlundsvej 106 • 5000 Odense C • tlf.: 66 13 11 00 • Fax: 66 19 03 19 • e-mail: efs@falck-schmidt.com